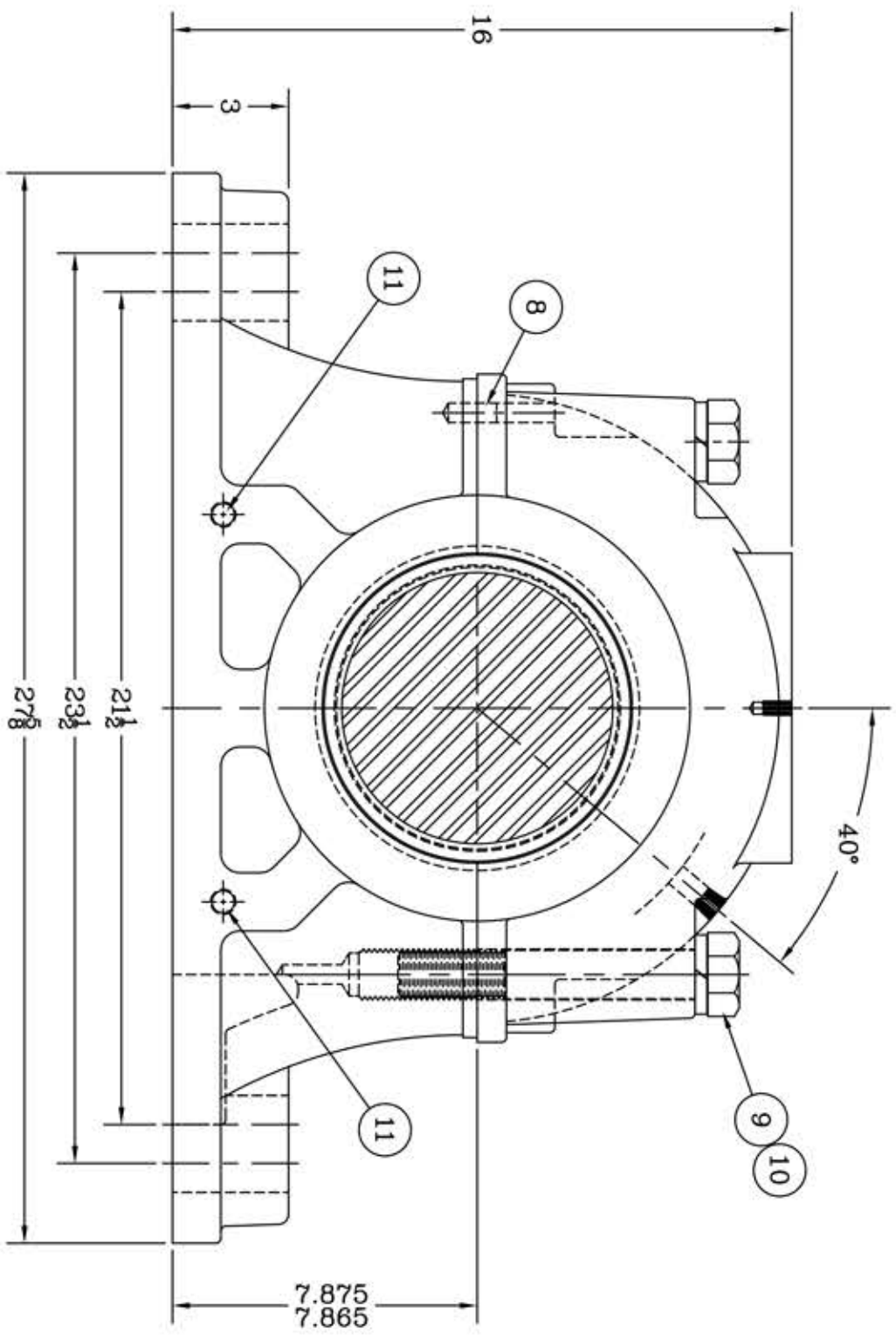
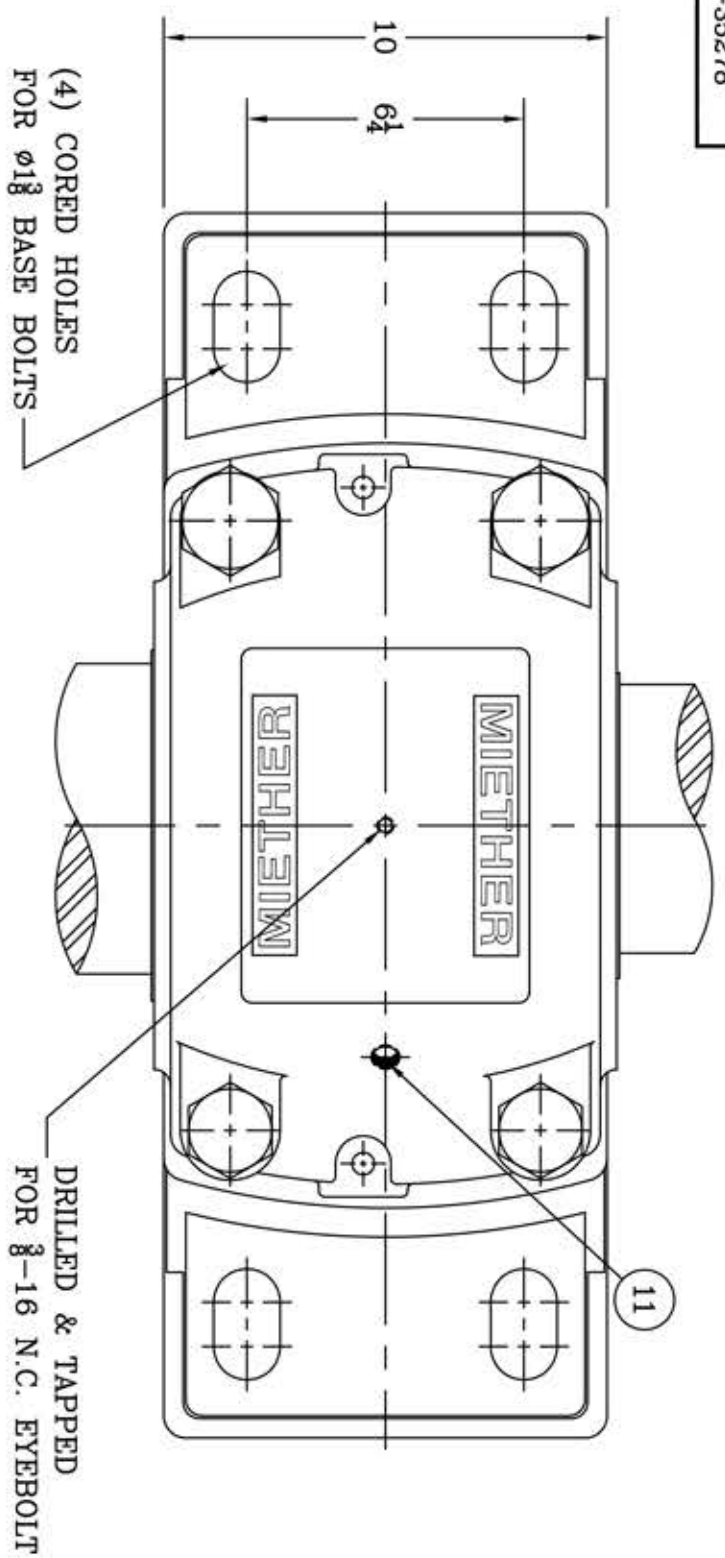
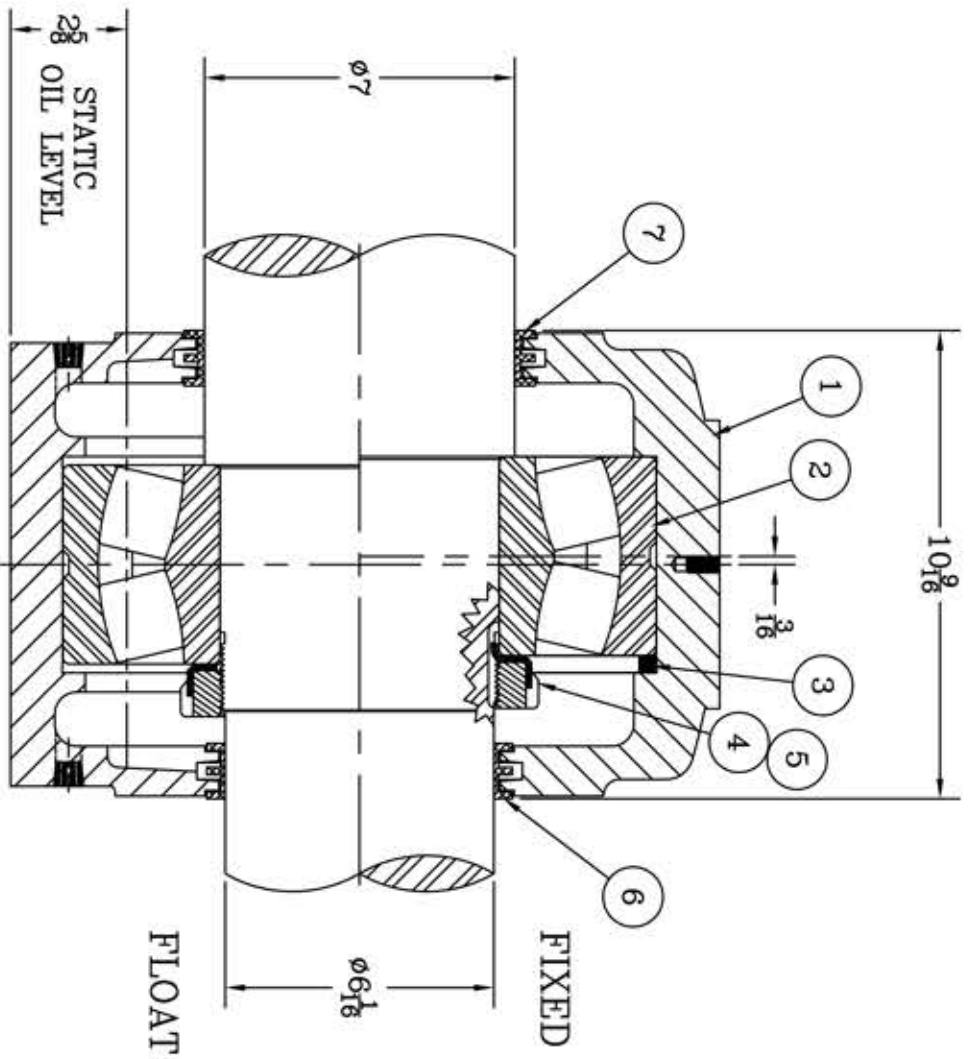


This drawing is the sole property of Miether Bearing Products and contains confidential and proprietary information. It is being provided to you for your use and may not be disclosed to any third party or used for any other purpose without Miether's prior written consent. The [materials] must be returned to the Company upon its demand. Your acceptance of these materials constitutes your acceptance of the foregoing terms.

C-35278



ITEM	DESCRIPTION	DETAIL	REQUIRED
1	HOUSING SDAFD 332	C-	1 1
2	SPHERICAL ROLLER BEARING 22332/W-33		1 1
3	STABILIZING RING SR-38-32	A-10555	1 0
4	LOCKNUT AN-32	B-10420	1 1
5	LOCKWASHER W-32	00250	1 1
6	TRIPLE SEAL RING LER-217	A-15337	1 1
7	TRIPLE SEAL RING LER-225	A-15338	1 1
8	DOWEL	$\phi 2 \times 1$ " LONG	2 2
9	CAP BOLT HEX. HEAD GR.5	$1\frac{1}{4}$ -7 NC x 8" LONG	4 4
10	LOCKWASHER	$1\frac{1}{4}$ SPLIT MED.	4 4
11	PIPE PLUG	$\frac{3}{8}$ -18 NPT	5 5



HOUSING MATERIAL - DUCTILE IRON  
ASTM A536 GR 65-45-12

REVISIONS

SYMBOL	DESCRIPTION	DATE
C	16	
D	32	
E	63	
F	125	
G	250	
J	500	
K	1000	

TOLERANCE: UNLESS OTHERWISE SPECIFIED  
FRACTIONS  $\pm 1/32$ " ANGLES  $\pm 0^\circ 30'$   
DECIMALS  $\pm .005$ " WELD  $\pm 1/16$ "  
CASTING  $\pm 1/16$ "

A.I.S.I. STANDARD FINISHES

AN ALCO INDUSTRIES COMPANY  
BEARING PRODUCTS  
ODESSA, TX USA

SDAFD 22332 07-00 x 06-01  
ASSEMBLY DRAWING

SCALE 1 = 3  
DRAWN PCF  
DATE 1/9/13  
CHK:

ASSEMBLY NO.  
DRAWING NO. C-35278